

4

3

2

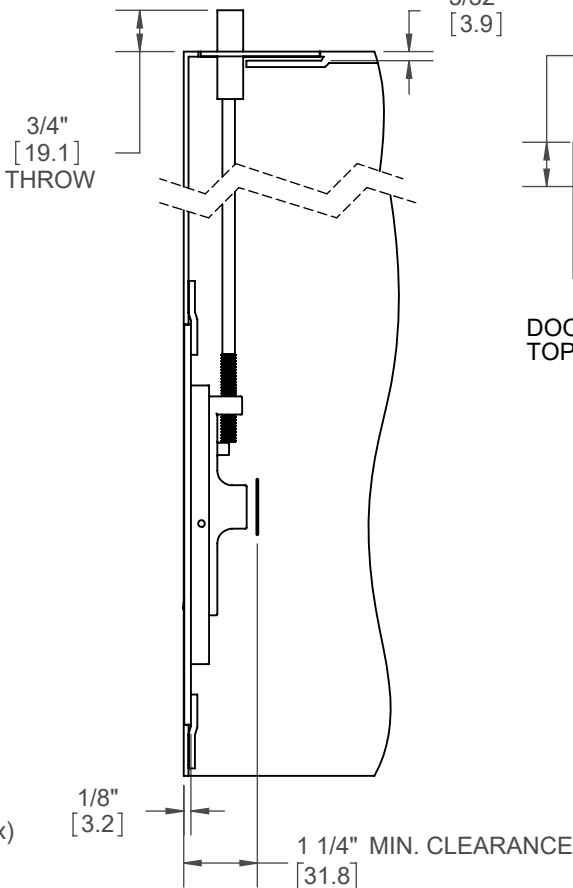
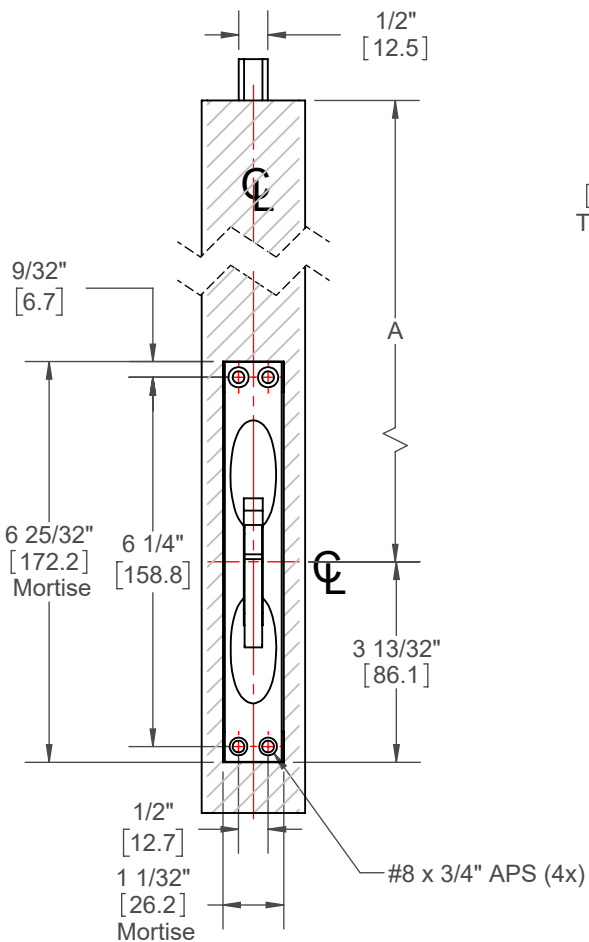
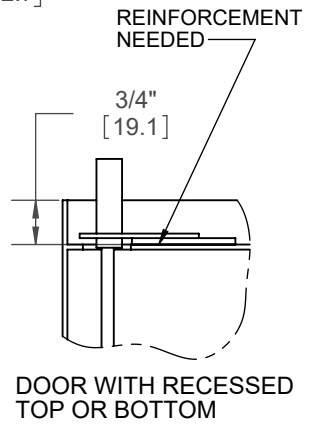
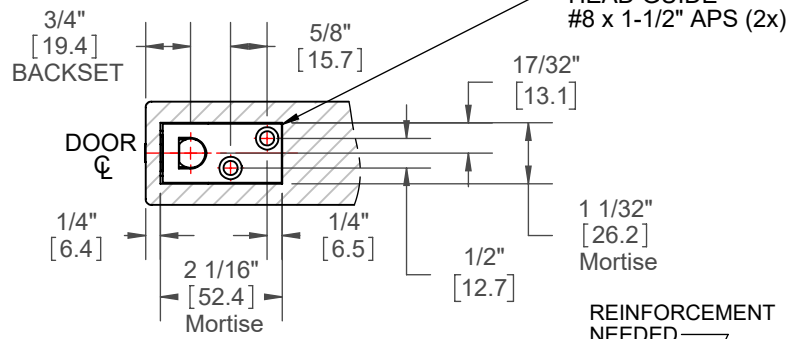
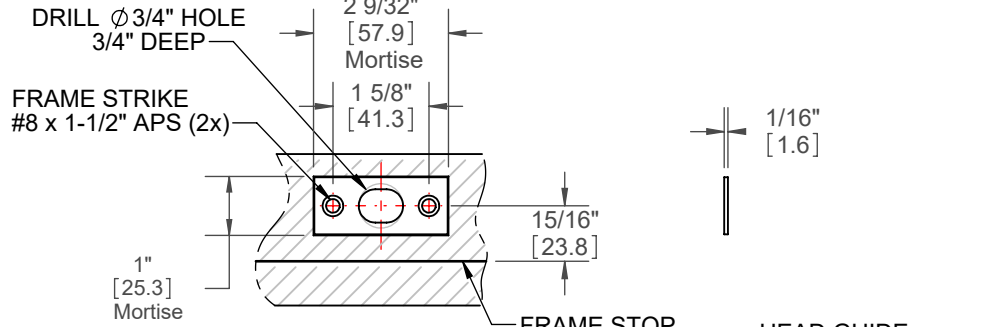
1

NOTES:

- 1. 282D HAS A 3 HR FIRE RATING FOR METAL DOORS UP TO 4 FT. WIDE X 10 FT. TALL.
- 2. DIMENSIONS SHOWN ON TEMPLATE ARE FOR TOP FLUSH BOLTS. FOR BOTTOM FLUSH BOLTS INVERT & MEASURE FROM BOTTOM EDGE OF THE DOOR.

REV	DRAWING UPDATE	ECO	CHANGE DESCRIPTION
9	01/24/24	OT24001	Updated Rod Lengths

A	ROD LENGTHS
12" [304.8]	STANDARD 12"
18" [457.2]	OPTIONAL 18"
24" [609.6]	OPTIONAL 24"
30" [762]	OPTIONAL 30"



D

D

C

C

B

B

A

A

HAGER RESERVES THE RIGHT TO MAKE DESIGN CHANGES WITHOUT NOTICE. CALL HAGER ENGINEERING AT 1-800-325-9995 FOR THE LATEST REVISION DATE OF TEMPLATE.



PROPRIETARY & CONFIDENTIAL
 THE INFORMATION CONTAINED IN THIS DRAWING IS THE SOLE PROPERTY OF HAGER COMPANIES. ANY REPRODUCTION IN PART OR AS A WHOLE WITHOUT THE WRITTEN PERMISSION OF HAGER COMPANIES IS PROHIBITED.

ALL DIMENSIONS REFERENCE UNLESS TOLERANCE SPECIFIED.
 UNITS: INCH = AUTHORITY
 [] = MILLIMETER REFERENCE
 DO NOT SCALE

DRAWN BY: KW
 ENG. APPR.:
 THIRD ANGLE PROJECTION
 MATERIAL:
 FINISH:
 WEIGHT:

SERIES NO.	PART NO. 282D
PART DESCRIPTION: METAL DOOR & FRAME PREP	
DRAWING NO. T-TA00177	REVISION 09
SHEET SIZE: A	SCALE: 4:13
SHEET 1 OF 1	

4

3

2

1